

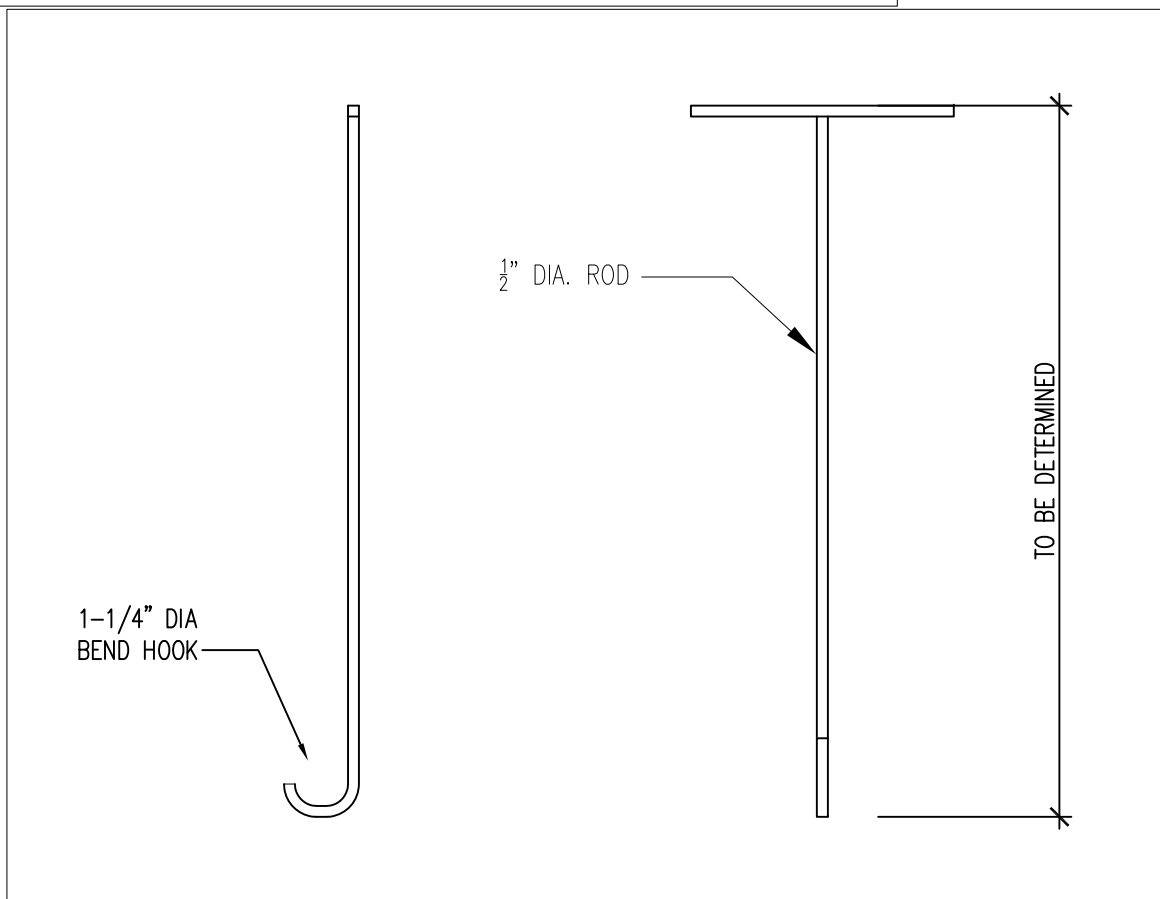
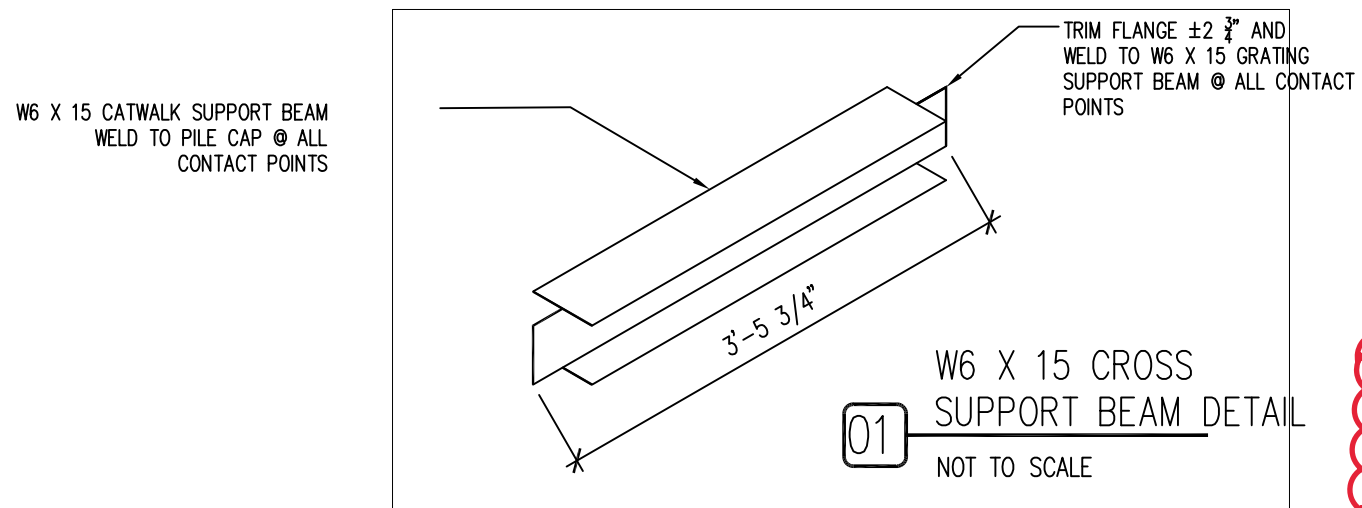
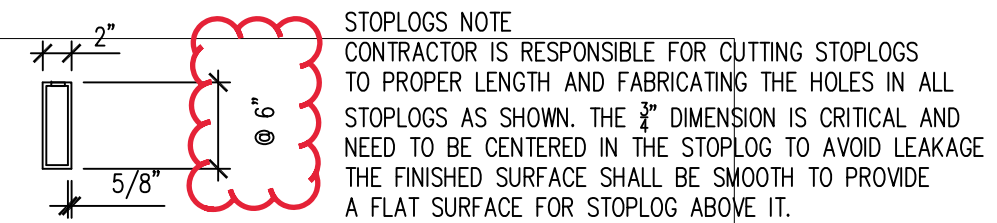
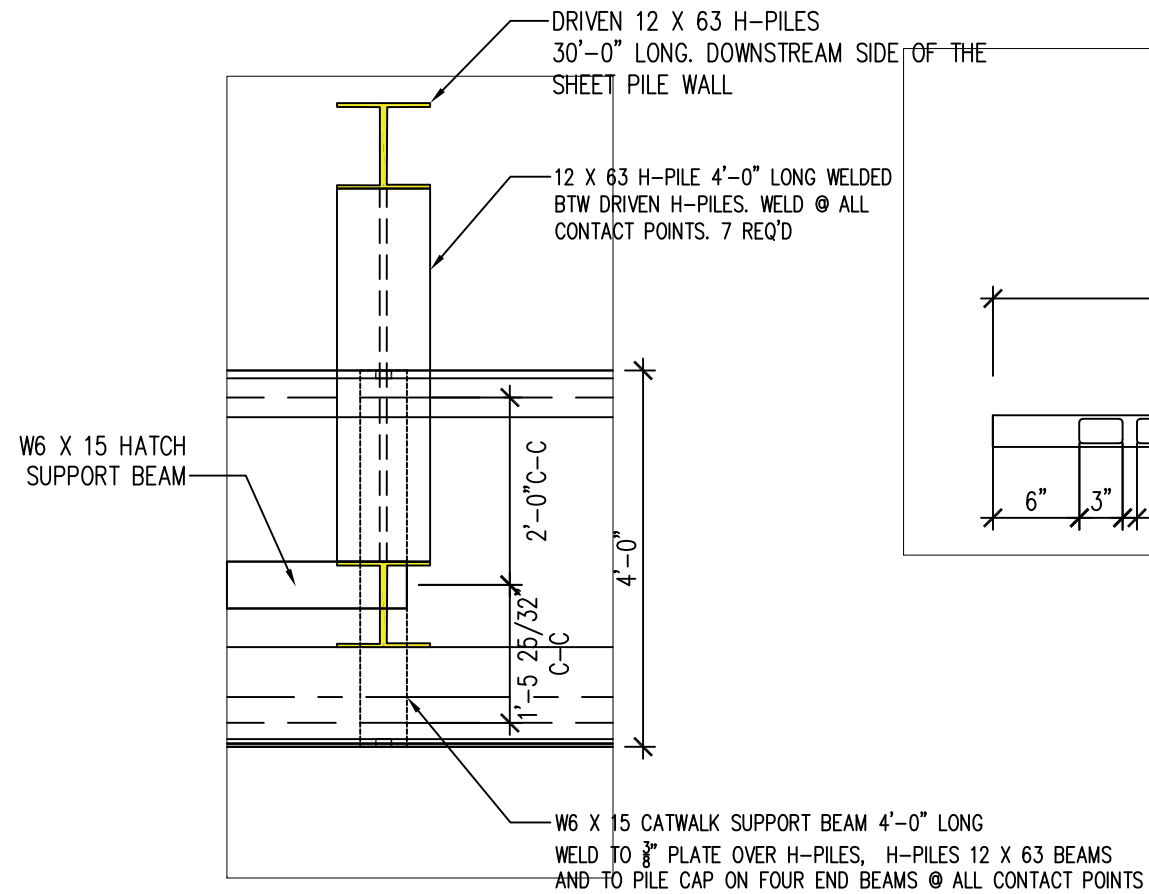
RED ROCK WILDLIFE UNIT
COAL CREEK WETLAND RESTORATION
WARREN COUNTY, IOWA
PROJECT NUMBER: 18-05-91-03

Date August 15, 2024

This Addendum is issued to modify, explain or correct the original Drawings and Specifications, and is hereby made a part of the Contract Documents. Please attach this Addendum to the Project Manual in your possession. Insert the number and issue date of this Addendum in the blank space provided on the Proposal Form.

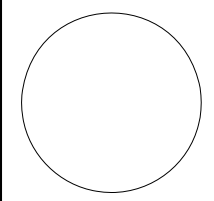
Plans:

- A. Sheet B.04 has been revised. Please discard the original and use the attached sheet.
- B. Sheet C.02 has been revised. Please discard the original and use the attached sheet.



- STOPLOG COMPONENTS: (ALL ALUMINUM)
- | | |
|---|-----------|
| STOPLOG 2" X 6" X 1/4" ALUMINUM (6061-T6) | 132 REQ'D |
| STOPLOG CHANNEL GUIDE 3" X 3" X 1/4" | 153 LF |
| (ANGLES WELDED TOGETHER BY A CONTINUOUS WELD AND WATERTIGHT.) | |
| LIFTING HOOKS GALVANIZED | 2 REQ'D. |
- THIS LIST IS PROVIDED FOR INFORMAITON ONLY ADDITIONAL MATERIAL NOT LISTED HERE MAY BE REQUIRED.
LENGTH OF STEEL STOCK BEYOND WHAT IS LISTED HERE MAY BE REQUIRED TO ALLOW FOR FABRICATION.

CONSULTANT:



IOWA DEPARTMENT OF
NATURAL RESOURCES

ENGINEERING SERVICES - WALLACE BUIJING
502 E. 9TH ST., DES MOINES, IA 50319-0034



STOPLOGS DETAILS

COAL CREEK WETLAND RESTORATION:

RED ROCK WILDLIFE MGT AREA

WARREN COUNTY, IA

NO.	BY	DATE	REVISION

DRAWN BY: PROJECT NUMBER:
ES 18-05-91-03

CHK'D BY: DATE:
JK AUG/2022

SHEET No:

B.04

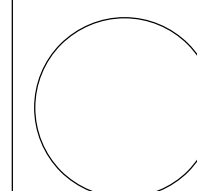
LIST OF MATERIAL ALREADY PURCHASED BY THE DNR

Item	Description	Length	Amount
PZ-27	Sheet Pile	15 feet	48
PZ-27	Sheet Pile	20 feet	14
H-Piles	12 x 36 H-Piles	30 feet	14
Steel Angles	5" x 5" x 3/8"	20 feet	14
Pile Cap	10" x 3/8"	20 feet	7
12 x 63 Non-driven H-Pile 4'-0" Long			7 Required
1/4" x 5" x 3'-0" Long Galvanized Plate			7 Required
Aluminum Stoplog Components			
3" x 3" x 1/4" Galvanized Stoplog Channel			153 Linear Feet
2" x 6" x 1/4" Aluminum Stoplogs			132 Required
Stoplog Storage Box (All Galvanized)			3 Required
Lifting Hooks			2 Required
Catwalk Components (All Galvanized)			
McNichols Galvanized Bar Grating GW-100A 1"x 1/8"			360 S.F.
TS 2" x 2" x 3/16" Handrail Posts 3'-8"			34 Required
TS 2" x 2" x 3/16" Handrail			185 Linear Feet
6" Heavy Duty Hinges			12 Required
Locking Loop			6 Required
W6 x 15 Catwalk Support Beams 4'-0" Long			11 Required
W6 x 15 Grating Support Beams 93'-0" Long			2 Required
W6 x 15 Cross Support Beams 3'-5.75" Long			4 Required
W6 x 15 Hatch Support Beams 31'-0" Long			1 Required
8" x 8" x 3/8" Plate Welded to Top of H-Piles			7 Required
6" x 6" x 1/4" Plate Welded Beneath Hatch Support Beam			7 Required
16" x 16" x 3/8" Gusset Plate to Support Catwalk Beam			4 Required
3-1/2" x 3-1/2" x 1/4" Grating Support Angle			186 Linear Feet

Material Location Note

The contractor shall be responsible for pick up, loading and delivery of the material already located at the DNR office. The contractor shall coordinate with DNR staff for pickup. This work shall be incidental to installing sheet pile, no extra payment shall be paid. The DNR office is located at 656 Carpenter Street, Monroe, IA 50170

CONSULTANT:



IOWA DEPARTMENT OF NATURAL RESOURCES

ENGINEERING SERVICES - WALLACE BUILDING
502 E. 9TH ST., DES MOINES, IA 50319-0034



QUANTITIES AND GENERAL INFORMATION

COAL CREEK WETLAND RESTORATION FOR:
RED ROCK WILDLIFE UNIT

WARREN COUNTY

NO.	BY	REVISION

DRAWN BY: PROJECT NUMBER:
18-05-91-03

CHK'D BY: DATE:
OCT/2020

SHEET NO:

C.02